

# SEETRONIC

## Product Data Sheet

**Product Type**

**Power Socket**

---

**Product Model**

**SAC3MPA**

---

**Customer Name**

---

Manufacturer	Prepared	Checked	Approved

Customer	Received	Checked	Confirmed



## Product Data Sheet

<b>Product Type</b>	<b>Power Socket</b>	
<b>Product Model</b>	<b>SAC3MPA</b>	

### Product Features

- Lockable three-core power device AC socket connector with contacts for line, neutral and pre-adapted safety grounding
- High current capacity rated at 20A/250V AC
- Quick and easy locking system
- UL Certification No. E359036
- VDE Certification No. 40044166



## Product Data Sheet

### Electrical Parameters

Item	Specification
Number of Contacts	2 + PE
Rated Current	20A
Rated Voltage	250V AC
Contact Resistance	$\leq 5 \text{ m}\Omega$
Dielectric Strength	4000V DC
Insulation Resistance	$> 1000 \text{ M}\Omega$

### Mechanical Parameters

Item	Specification
Service Life	$> 1000$ mating cycles
Cable Size	2.5mm <sup>2</sup>



## Product Data Sheet

### Material and Environmental Parameters

Item	Specification
Housing	PA
Contacts	Cu alloy
Contact plating	Ag
Flame-retardant grade	UL 94-V0
Temperature range	-30°C ~ +80°C

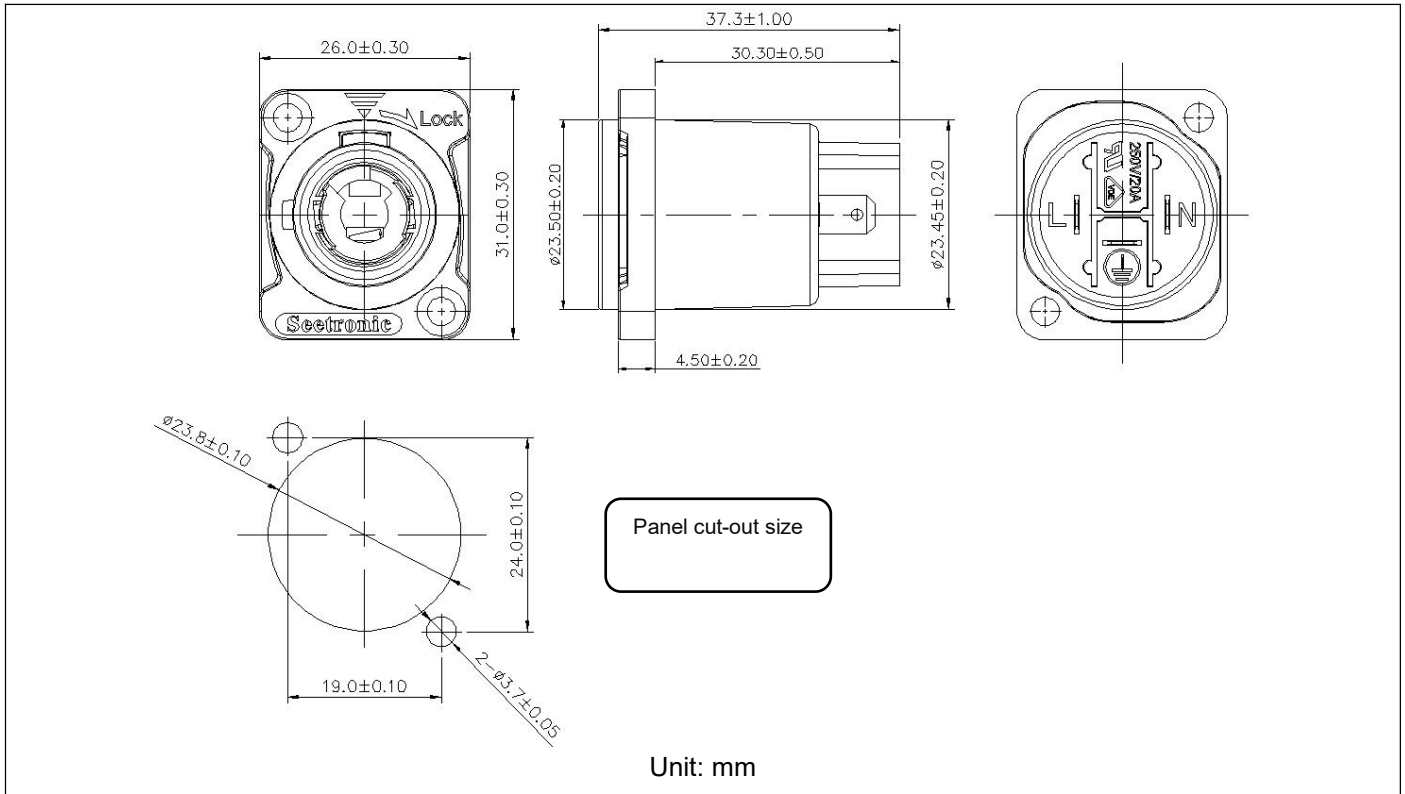
### Standards and Certifications

Standards	UL1977   IEC61984   IEC60320-1   GB/T 34989
Certifications	UL: E359036 VDE: 40044166 TUV: N8A1083360006 CQC:CQC23003410678



## Product Data Sheet

### Product Drawing



### Packaging Method

Blister box packaging

20 pcs per blister box, 100 pcs per inner carton, 5 inner carton per master carton (500 pcs per master carton)

### Accessory

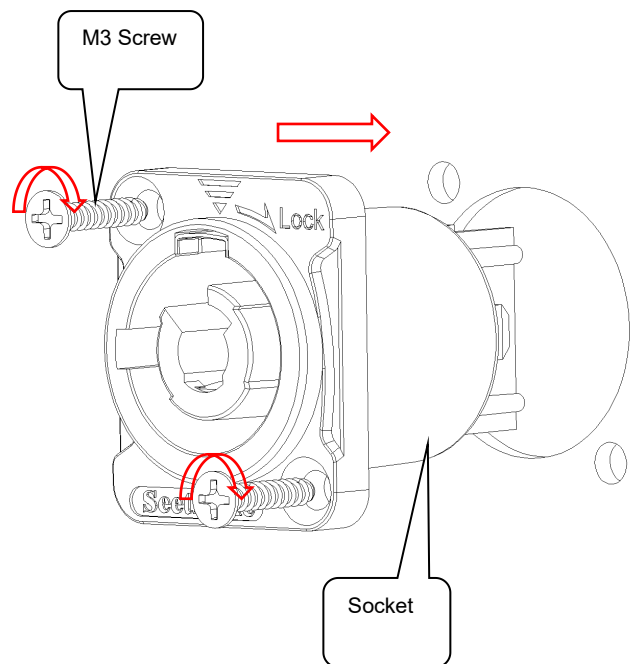
- |  |  |
|--|--|
| <input checked="" type="checkbox"/> No accessories | <input type="checkbox"/> Back fastener plate |
| <input type="checkbox"/> Screws and Nuts           | <input type="checkbox"/> Other               |



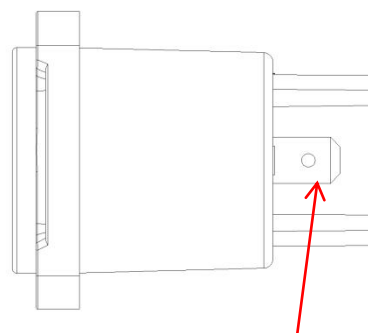
## Product Data Sheet

### Assembly Instructions

Install the socket on the front of the panel and tighten the screws with 0.5 Nm torque in clockwise direction.



Type of Terminals



Soldering / plugging 4.5x0.5 terminals

